

9.3.10 Endlap – Install Caulking Tape

The proper placing of the caulking tape is critical to the weathertightness of the roof endlaps.

Before installing the caulking tape, the roof panel’s surface must be wiped clean and dry.

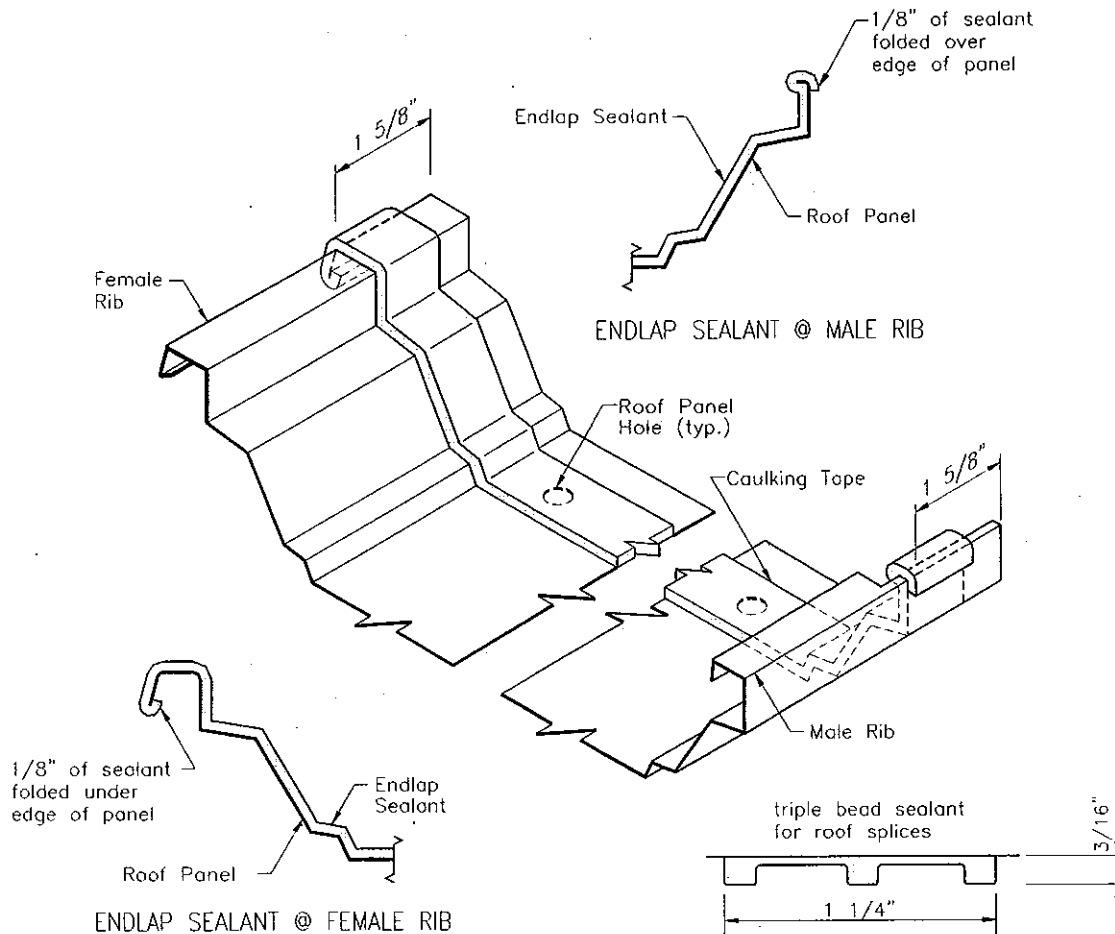
Position the sealant so that its downslope edge is uniformly 1 5/8” from the end of the panel. The sealant must be centered over the roof panel’s factory punched holes.

Install a continuous strip of caulking tape along the end of the roof panel, as shown. When tape sealant is applied at an inside radius, it is recommended that the sealant be folded back on itself, then push the sealant fold into the radius.

Check that the sealant fully contacts the roof panel’s surface and that it is completely fitted into the panel corners and around the seams.

The sealant’s protective paper helps to retain the sealant’s shape during installation and protects the sealant’s surface from damage and contamination. Do not remove the protective paper until immediately before the installation of the up-slope roof panel.

Specific caulking tape details are shown on the following page.



9.3.11 Endlap – Caulking Details

Cut the caulking tape to be fitted around the roof panel's seams as shown.

Check that the 1/8" ends of the caulking are correctly folded around the roof panel's edges. Excess sealant in the roof panel seams will cause difficult panel assembly. Remove any excess sealant.

After the caulking is correctly positioned, uniformly press the sealant against the roof panel's surface to assure adhesion. Do not use excess pressure which can thin the caulking.

Keep heated sealants warmer in the winter and cooler in the summer by storing them in a plastic cooler while working on the roof.