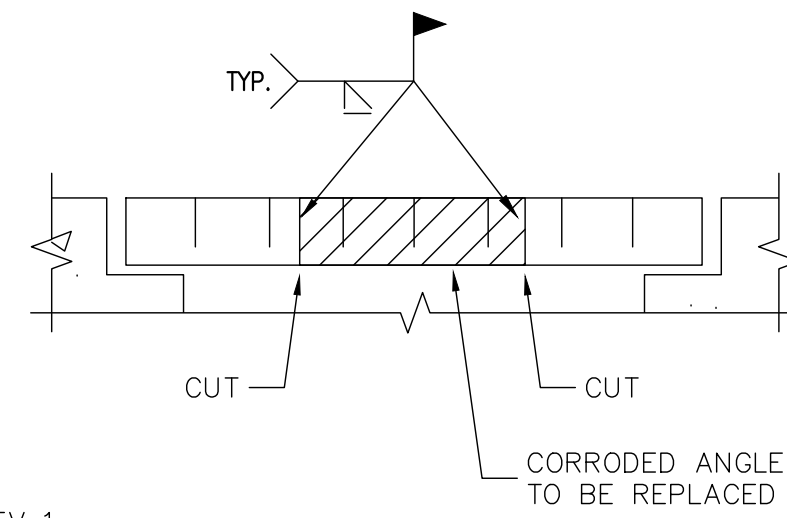
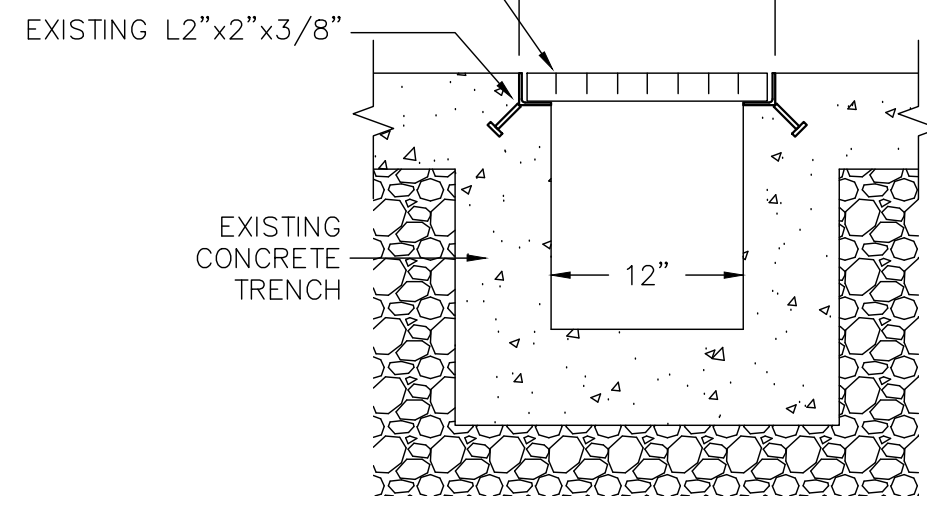


REV. 1

PANEL LENGTH 36" BEARING
BARS 1-3/4"x3/16" @ 1-1/8"
SPACE BARS .16" @ 3-3/4"



REV. 1:

KEEP STEEL ANGLES IN PLACE, GRIND CLEAN AND APPLY COATING PROTECTION. ONLY CUT AND REPLACE SECTIONS OF ANGLES COMPLETELY CORRODED, BY WELDING NEW COATED STEEL ANGLE TO EXISTING, WITH PARTIAL PENETRATION WELD AND FLUSH FINISH.

- REMOVE EXISTING GRATING.
- INSTALL NEW HOT DIP GALVANIZED GRATING.
- REPAIR CONCRETE AROUND GRATE AND MAKE GOOD FINISH.

A-A GRATE REPLACEMENT
S-100 SCALE: N.T.S.

GENERAL NOTES:

1. ALL WORK SHALL BE IN ACCORDANCE WITH RELEVANT CODES AND GUIDELINES.
2. ALL DRAWINGS AND ADDENDA ARE TO BE READ AS, AND IN CONJUNCTION WITH THE SPECIFICATIONS.
3. ALL EQUIPMENT SHALL BE INSTALLED AS SPECIFIED OR APPROVED EQUIVALENT.
4. CONTRACTOR MUST CHECK AND VERIFY ALL DIMENSIONS BEFORE PROCEEDING WITH WORK AND BE RESPONSIBLE FOR SAME.
5. CONTRACTOR MUST REPORT ANY DISCREPANCIES TO ENGINEER FOR RESOLUTION BEFORE COMMENCING THE WORK.
6. ANY CHANGES MUST BE APPROVED BY THE ENGINEER.

GENERAL STRUCTURAL NOTES:

1. ANY INCONSISTENCIES IN DIMENSIONS AND DETAILS BETWEEN STRUCTURAL AND ARCHITECTURAL DRAWINGS ARE TO BE REPORTED TO THE ENGINEER PRIOR TO PROCEEDING WITH WORK. DO NOT SCALE THESE DRAWINGS.
2. ALL FABRICATION AND ERECTION DRAWINGS (SHOP DRAWINGS) INCLUDING STRUCTURAL STEEL, STEEL DECK, REINFORCING STEEL, ETC. TO BE SUBMITTED TO THE ENGINEER FOR REVIEW. SUBMIT MINIMUM OF 3 COPIES OF PRINTS PLUS ONE REPRODUCIBLE COPY.
3. CARRY OUT ALL WORK IN ACCORDANCE WITH THE ONTARIO BUILDING CODE, AND THE OCCUPATIONAL HEALTH AND SAFETY ACT AND REGULATIONS FOR CONSTRUCTION PROJECTS.
4. SITE IS LIVE AND OPERATIONAL DAILY. CHECK AND COORDINATE ALL WORK WITH SITE MANAGEMENT.

DESIGN:

1. DESIGN IS IN ACCORDANCE WITH THE ONTARIO BUILDING CODE, 2012 EDITION.
2. CONCRETE MEMBERS ARE DESIGNED IN ACCORDANCE WITH CSA STANDARD A23.3-2021.
3. THE CONTRACTOR SHALL BE RESPONSIBLE FOR THE DESIGN AND INSTALLATION OF ALL NECESSARY SHORING, BRACING, AND FORM WORK. FORM WORK FOR NEW CONSTRUCTION SHALL BE BRIDGED OVER EXISTING SERVICES. PROCEDURE MUST BE APPROVED BY THE DESIGN ENGINEER.
4. ANY UNSOUND STRUCTURAL CONDITIONS OBSERVED OR CREATED DURING CONSTRUCTION ARE TO BE REPORTED TO ENGINEER IMMEDIATELY.

STRUCTURAL STEEL:

1. THE FOLLOWING NOTES AND THE TYPICAL DETAILS AS INDICATED ARE APPLICABLE TO ALL STRUCTURAL CONDITIONS NOT SPECIFICALLY DETAILED ON THE STRUCTURAL DRAWINGS.
2. THE STRUCTURAL DRAWINGS SHALL BE READ IN CONJUNCTION WITH ALL RELEVANT CONTRACT DOCUMENTS.
3. ONLY DIMENSIONS RELEVANT TO STRUCTURAL ELEMENTS ARE SHOWN ON THE DRAWINGS.
4. ANY INCONSISTENCIES IN DIMENSIONS AND DETAILS BETWEEN STRUCTURAL AND ARCHITECTURAL DRAWINGS ARE TO BE REPORTED TO THE ENGINEER PRIOR TO PROCEEDING WITH WORK. DO NOT SCALE THESE DRAWINGS.
5. ALL FABRICATION AND ERECTION DRAWINGS (SHOP DRAWINGS) INCLUDING

STRUCTURAL STEEL, STEEL DECK, REINFORCING STEEL, ETC. TO BE SUBMITTED TO THE ENGINEER FOR REVIEW. SUBMIT MINIMUM OF 3 COPIES OF PRINTS PLUS ONE REPRODUCIBLE COPY.

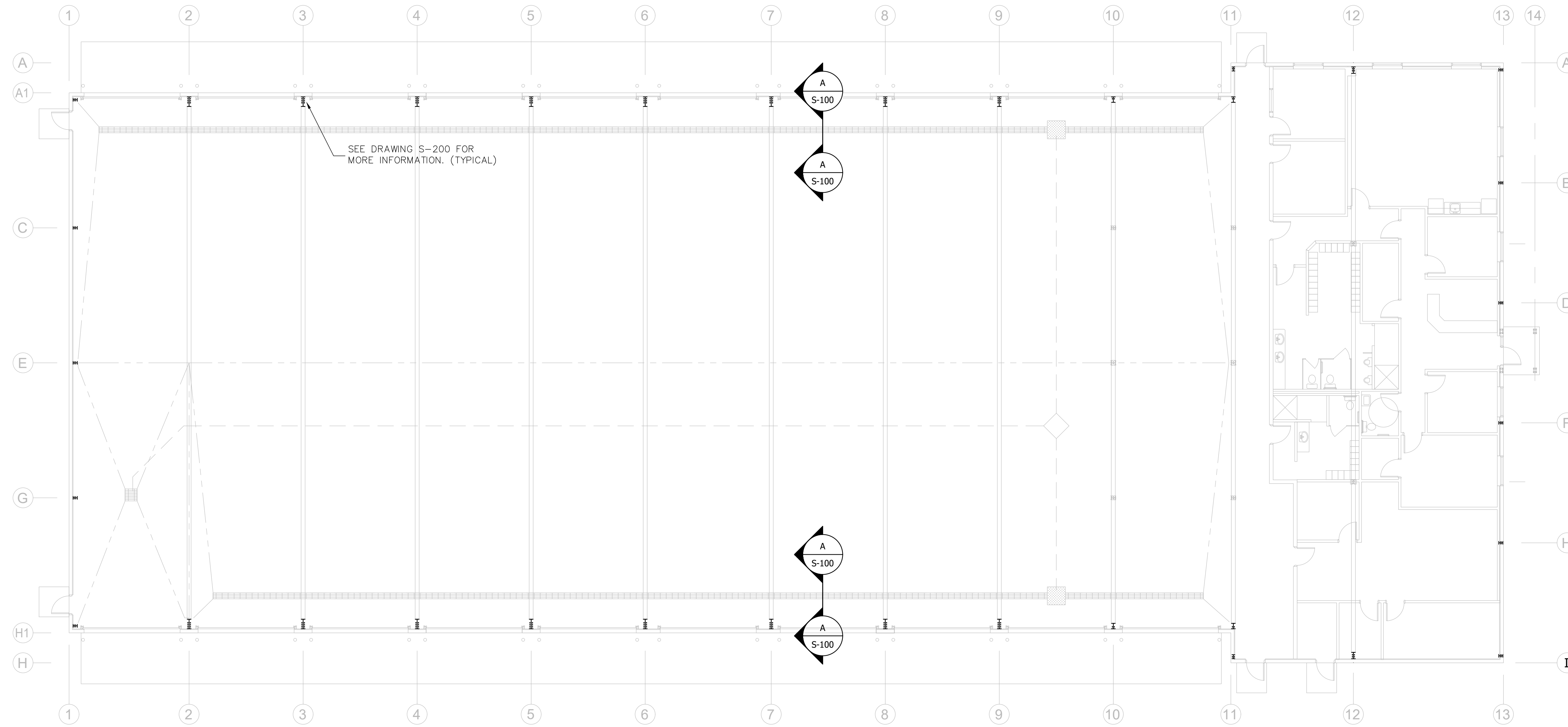
6. CARRY OUT ALL WORK IN ACCORDANCE WITH THE ONTARIO BUILDING CODE, AND THE OCCUPATIONAL HEALTH AND SAFETY ACT AND REGULATIONS FOR CONSTRUCTION PROJECTS.
7. GRIND AND CLEAN WHEREVER EVIDENCE OF WATER DAMAGE/CORROSION IS VISIBLE. STEEL FRAMING WILL BE WIRE-WHEELED AND REPRIMED.
8. DAMAGED/CORRODED STEEL DOOR FRAMES TO BE WIRE-WHEELED AND REPRIMED TO PROTECT AGAINST FURTHER CORROSION.

THE GREER GALLOWAY GROUP INC.
ENGINEERS & PLANNERS
PETERBOROUGH
BELLEVILLE
KINGSTON
640 CATARAQUI WOODS DRIVE, UNIT 2A
KINGSTON, ONTARIO, K7P 2Y5
PHONE: 613-536-5420
FAX: 613-548-3793

NOTES:

1. ALL WORK SHALL BE IN ACCORDANCE WITH RELEVANT CODES AND GUIDELINES INCLUDING THE ONTARIO BUILDING CODE.
2. ALL DRAWINGS AND ADDENDA ARE TO BE READ AS, AND IN CONJUNCTION WITH THE SPECIFICATIONS.
3. ALL EQUIPMENT SHALL BE INSTALLED AS SPECIFIED OR APPROVED EQUIVALENT.
4. CONTRACTOR MUST CHECK AND VERIFY ALL DIMENSIONS BEFORE PROCEEDING WITH WORK AND BE RESPONSIBLE FOR SAME.
5. CONTRACTOR MUST REPORT ANY DISCREPANCIES TO ENGINEER FOR RESOLUTION BEFORE COMMENCING THE WORK.
6. ANY CHANGES MUST BE APPROVED BY THE ENGINEER.

(A) A DETAIL NO.
(B) B DRAWING NO. - WHERE DETAILED



FLOOR PLAN
SCALE: 3/32"=1'-0"

4	-	-
3	ISSUED FOR TENDER	03.05.2023
2	ISSUED FOR ADDENDUM 1	23.06.2022
1	ISSUED FOR TENDER	28.02.2022
REVISION	DESCRIPTION	DD.MM.YYYY

NORTH

STAMP

PROJECT
Stone Mills Public Works Depot Garage
Township Of Addington Highlands

Stone Mills
Township Of Addington Highland

DRAWING TITLE
GRATE REPLACEMENT

DESIGNED BY
G. Toro Suarez

DRAWN BY
M. Rowsell

REVIEWED BY
G. Toro Suarez

APPROVED BY
G. Toro Suarez

PROJECT DATE
FEB. 2022 (DD/MM/YYYY)

PROJECT # 2152693 DRAWING SCALE AS SHOWN

DRAWING # S-100

CAD OPERATOR: Mike Rowsell

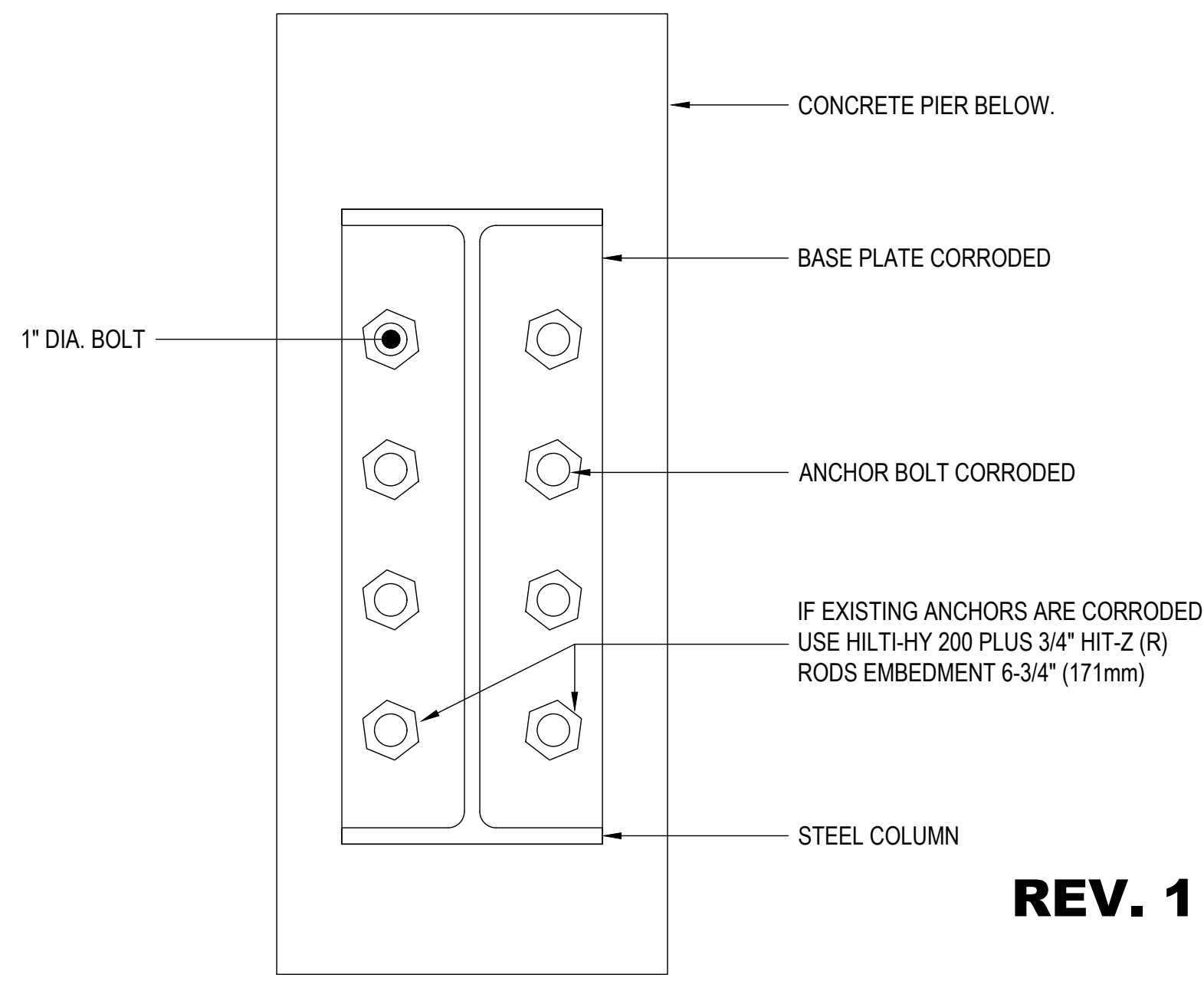
CAD FILE: P:\Kingston Project\2020 - Stone Mills Public Works Garage\Drawings\2152693-STRUCT-1-C.dwg

PLOT SCALE: 1:1

DATE PLOTTED: 2022-02-03

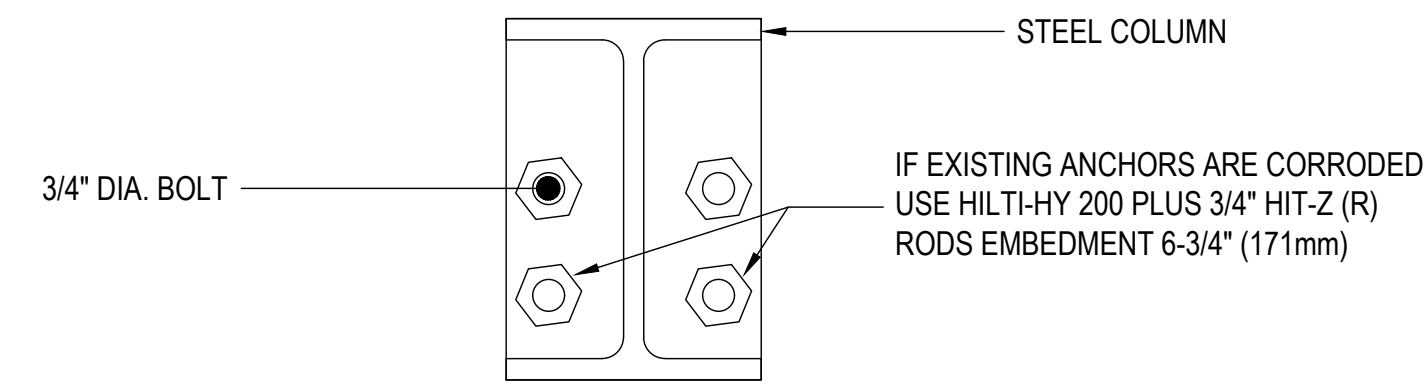
- NOTES:
1. ALL WORK SHALL BE IN ACCORDANCE WITH RELEVANT CODES AND GUIDELINES INCLUDING THE ONTARIO BUILDING CODE.
 2. ALL DRAWINGS AND ADDENDA ARE TO BE READ AS, AND IN CONJUNCTION WITH THE SPECIFICATIONS.
 3. ALL EQUIPMENT SHALL BE INSTALLED AS SPECIFIED OR APPROVED EQUIVALENT.
 4. CONTRACTOR MUST CHECK AND VERIFY ALL DIMENSIONS BEFORE PROCEEDING WITH WORK AND BE RESPONSIBLE FOR SAME.
 5. CONTRACTOR MUST REPORT ANY DISCREPANCIES TO ENGINEER FOR RESOLUTION BEFORE COMMENCING THE WORK.
 6. ANY CHANGES MUST BE APPROVED BY THE ENGINEER.

A	A DETAIL NO.
B	B DRAWING NO. - WHERE DETAILED



REV. 1

TYPICAL BASE PLATE (6 BOLTS) - 16 UNITS
SCALE: N.T.S.



REV. 1

TYPICAL BASE PLATE (2 BOLTS) - 17 UNITS
SCALE: N.T.S.

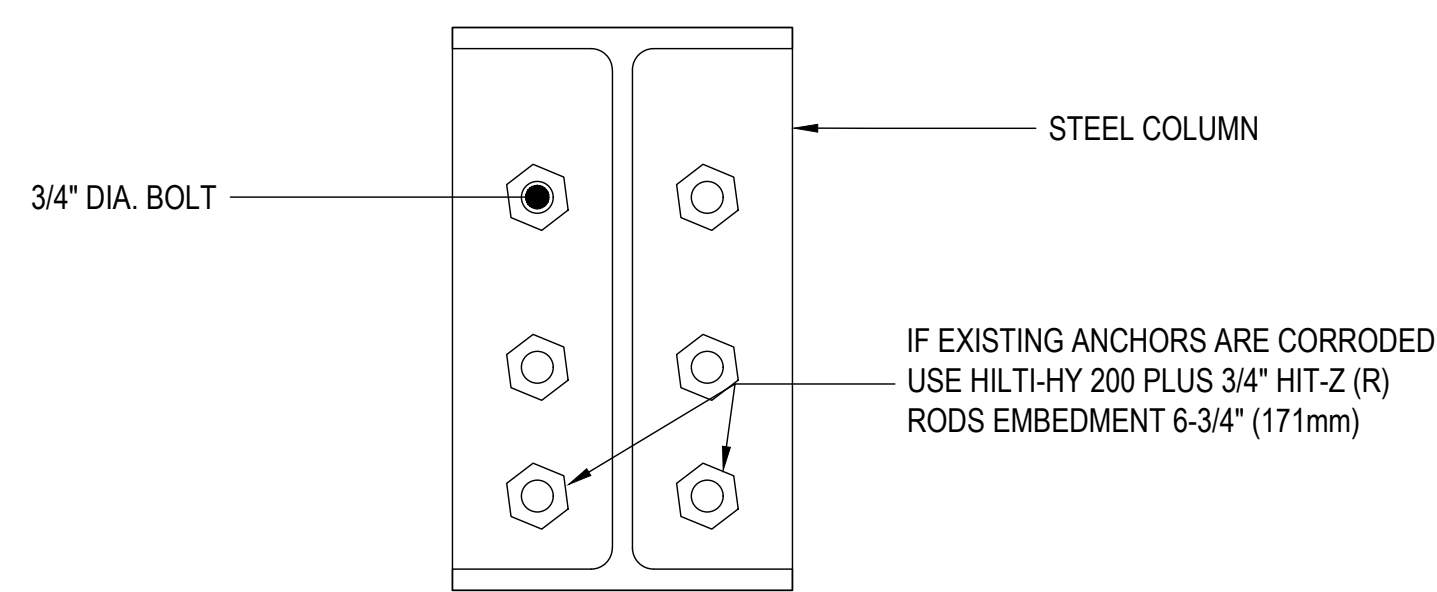
NOTES:

1. GRIND AND CLEAN STEEL PLATES AND ANCHOR BOLTS.
2. IF AFTER CLEANING DIAMETER OF ANCHOR BOLTS IS REDUCED IN 5% OR MORE OF ORIGINAL DIAMETER, REPLACEMENT OF ANCHOR BOLTS IS REQUIRED. WITH POST-INSTALLED ANCHORS BY HILTI OR SIMILAR APPROVED. (DETAILS WILL BE PROVIDED AS NEEDED).

REV 1:

NOTE 'A' = IF EXISTING ANCHORS ARE CORRODED, ADD HILTI HIT-HY 200 PLUS 3/4" HIT-Z (R) RODS EMBEDMENT 6-3/4" (171mm).

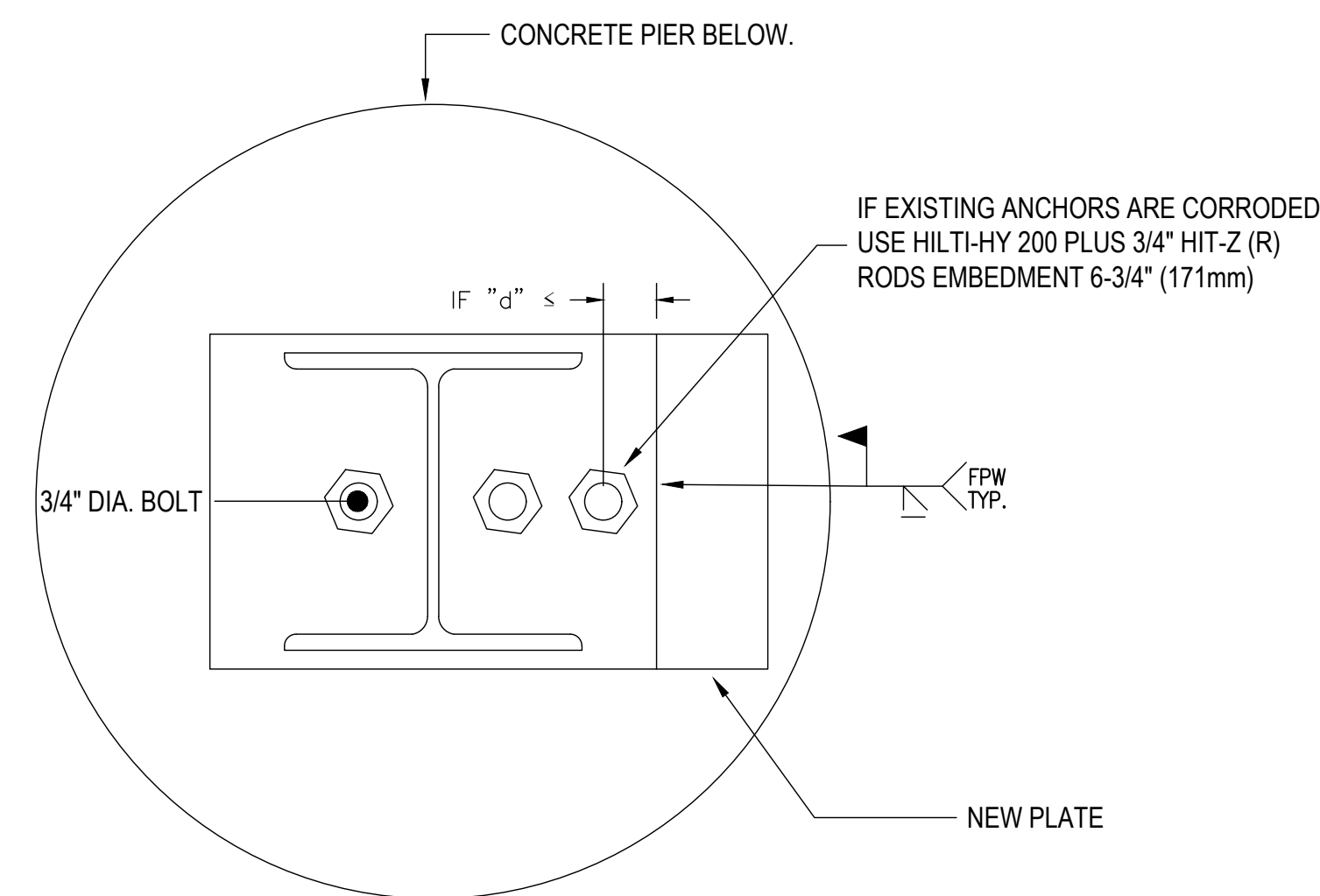
IF STEEL PLATE IS REQUIRED TO INSTALL HIT RODS, WELD NEW STEEL PLATE SAME THICKNESS AS EXISTING AND MAKE FULL PENETRATION WELD, AS SHOWN IN DETAILS BELOW.



REV. 1

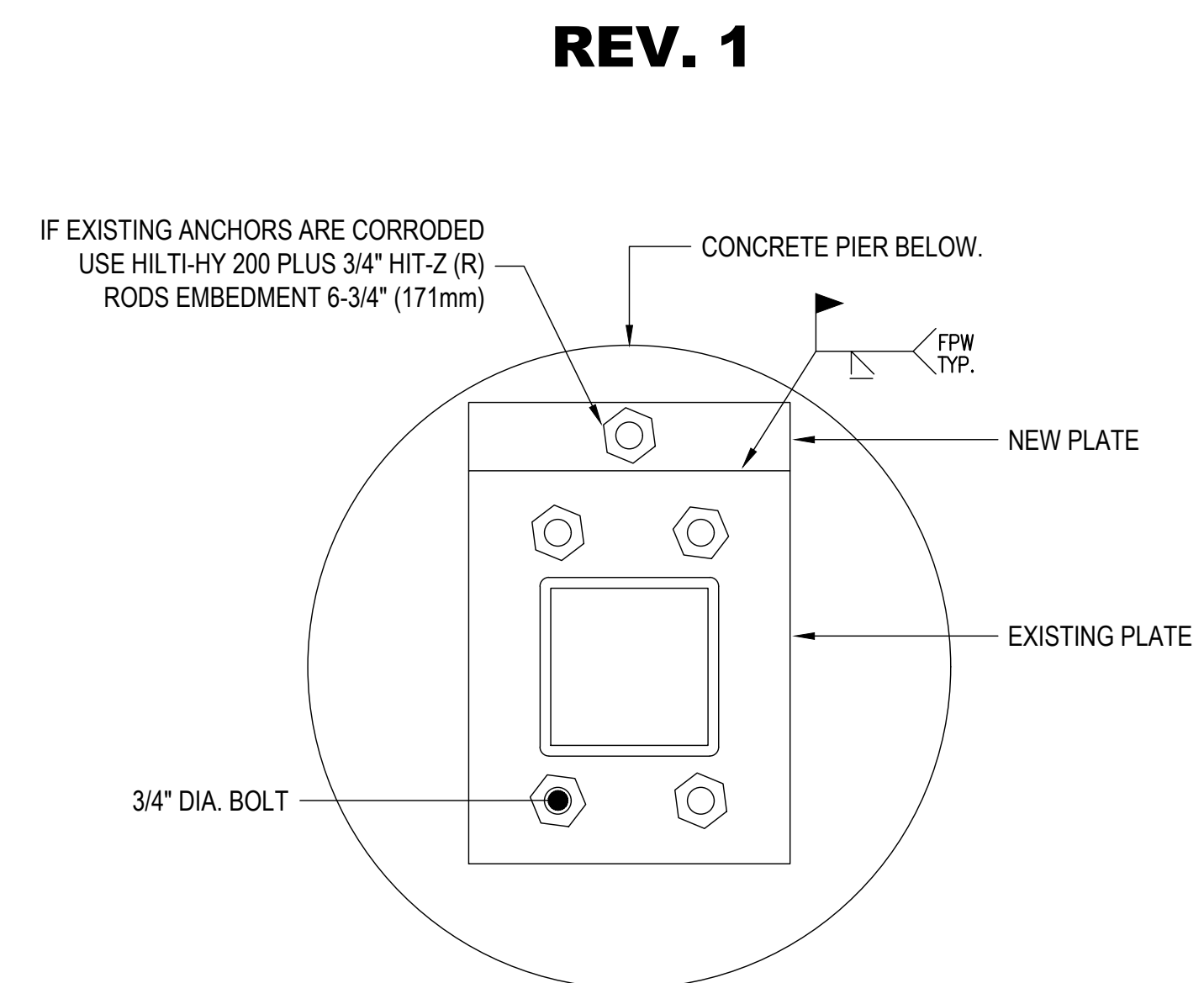
TYPICAL BASE PLATE (4 BOLTS) - 5 UNITS
SCALE: N.T.S.

IF "d" ≤ 34mm FROM ε OF BOLT TO EDGE OF STEEL PLATE, WELD NEW STEEL PLATE TO EXISTING.



REV. 1

SONOTUBE PIER PLATES (2 BOLTS) - 8 UNITS
SCALE: N.T.S.



REV. 1

SONOTUBE PIER PLATES (4 BOLTS) - 4 UNITS
SCALE: N.T.S.

4	-	-
3	ISSUED FOR TENDER	03.05.2023
2	ISSUED FOR ADDENDUM 1	23.06.2022
1	ISSUED FOR TENDER	28.02.2022
REVISION	DESCRIPTION	DD.MM.YYYY

NORTH

STAMP

PROJECT
Stone Mills Public Works Depot Garage
Township Of Addington Highlands
Stone Mills
Township Of Addington Highland

DRAWING TITLE
COLUMNS BASE PLATES AND ANCHORS

DESIGNED BY
G. Toro Suarez

DRAWN BY
M. Rowsell

REVIEWED BY
G. Toro Suarez

APPROVED BY
G. Toro Suarez

PROJECT DATE
FEB. 2022 (DD/MM/YYYY)

PROJECT # 2152693 DRAWING SCALE AS SHOWN

DRAWING # S-200